



TREEKEEPER™

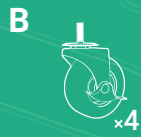
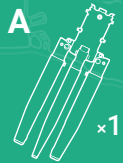
WWW.TREEKEEPERBAGS.COM

For assistance with assembly or installation, parts and customer service:
www.TreeKeeperBags.com/Help | Support@VillageLighting.com

UNIVERSAL ALL METAL ROLLING STAND

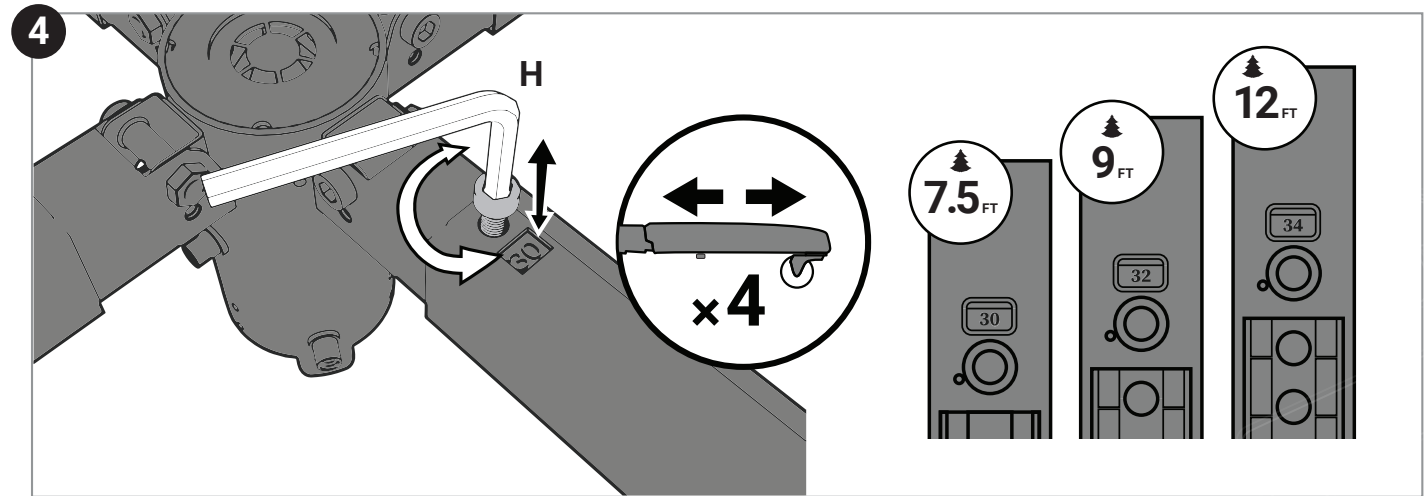
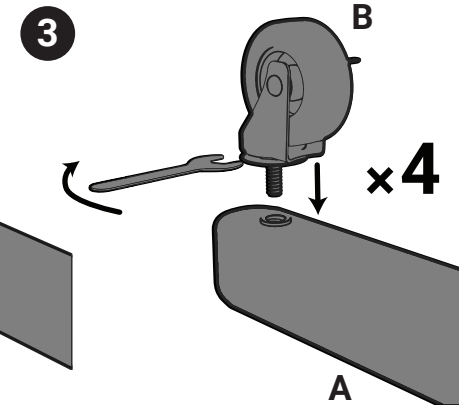
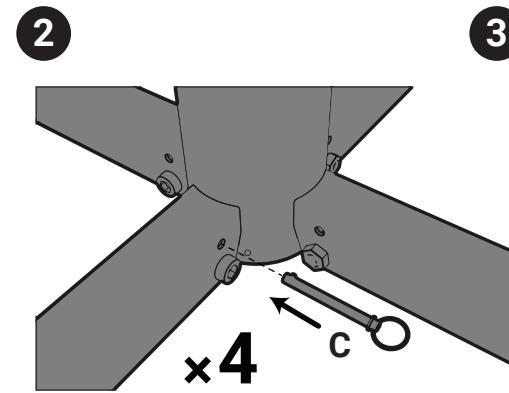
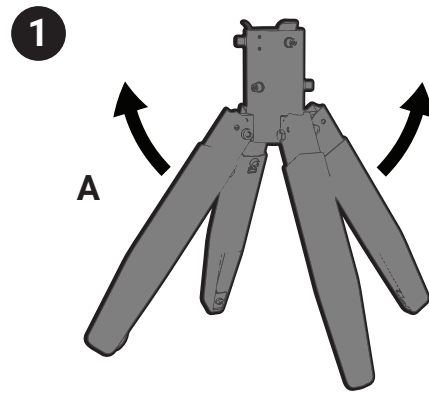
MODEL #: TK-30019 PATENT PENDING

PARTS:

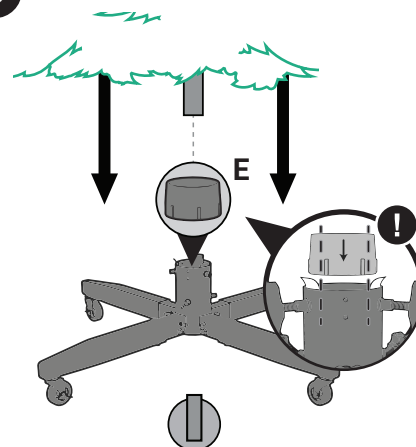


IMPORTANT, RETAIN FOR FUTURE
REFERENCE:
READ CAREFULLY

Intended for indoor use

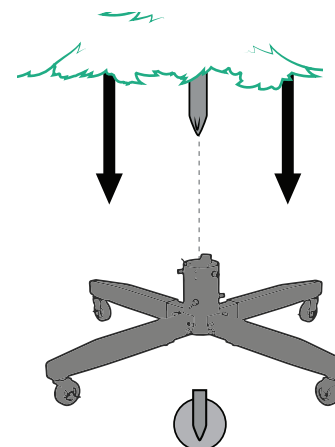


5 **IMPORTANT: ASSEMBLY VARIES BY TREE POLE SHAPE AND SIZE. PLEASE FOLLOW INSTRUCTIONS BELOW**



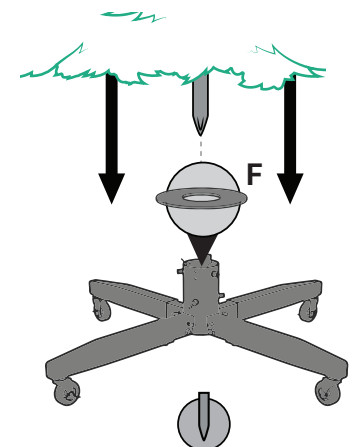
ALL SIZES FLAT BOTTOM, OR
LESS THAN 1.25" DIAMETER POLE

INSERT PART "E" INTO THE CENTER OF THE STAND



1.5" - 2.12" DIAMETER
POINTED POLE

NO ADDITIONAL PARTS NEEDED



1.25" - 1.5" DIAMETER
POINTED POLE

INSERT PART "F" INTO THE CENTER OF THE STAND

V 04011



TREEKEEPER™

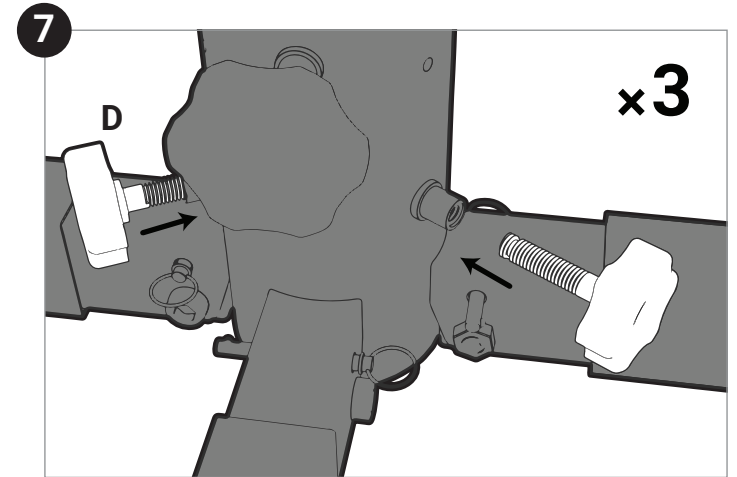
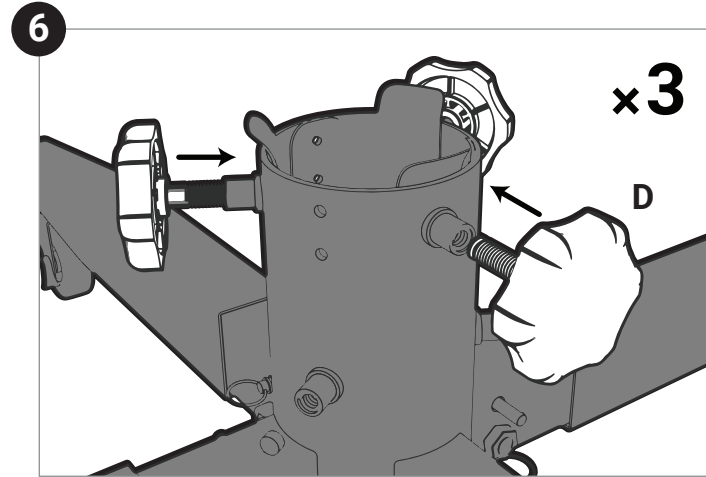
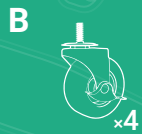
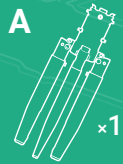
WWW.TREEKEEPERBAGS.COM

For assistance with assembly or installation, parts and customer service:
www.TreeKeeperBags.com/Help | Support@VillageLighting.com

UNIVERSAL ALL METAL ROLLING STAND

MODEL #: TK-30019 PATENT PENDING

PARTS :



OPTIONAL: ADD LOWER KNOBS IF ADDITIONAL
STABILIZATION IS NEEDED.

IMPORTANT, RETAIN FOR FUTURE
REFERENCE:
READ CAREFULLY

Intended for indoor use