

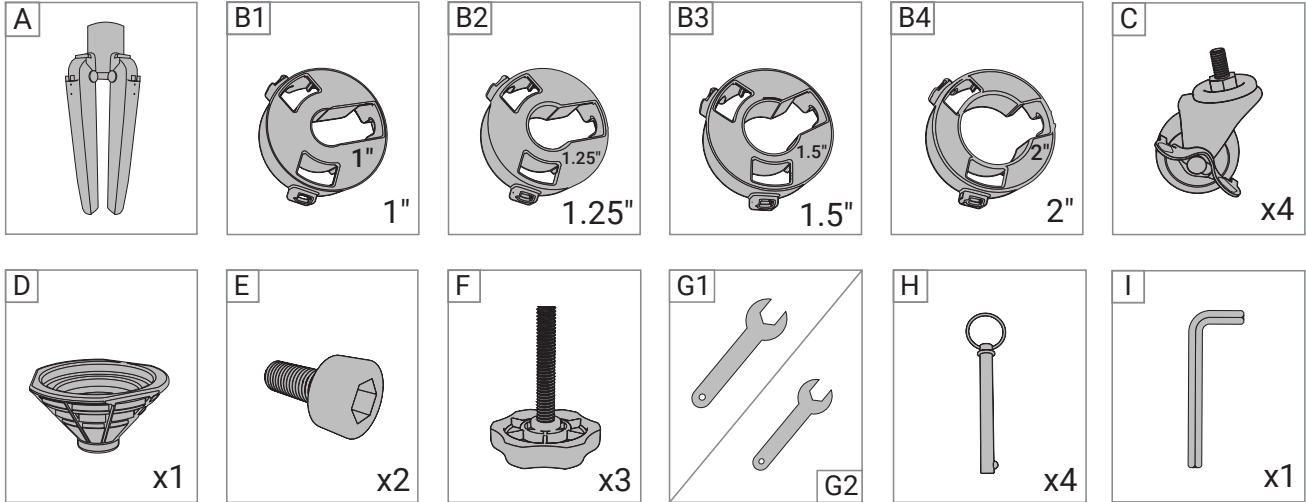
UNIVERSAL ALL METAL ROLLING STAND

For 7-12 FT trees (up to 250 lbs)

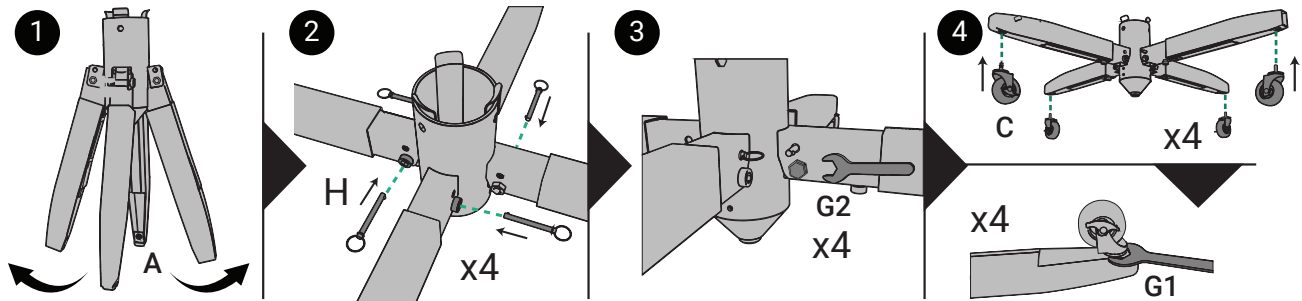
TK-30019-RS (V2024) | Patent Pending



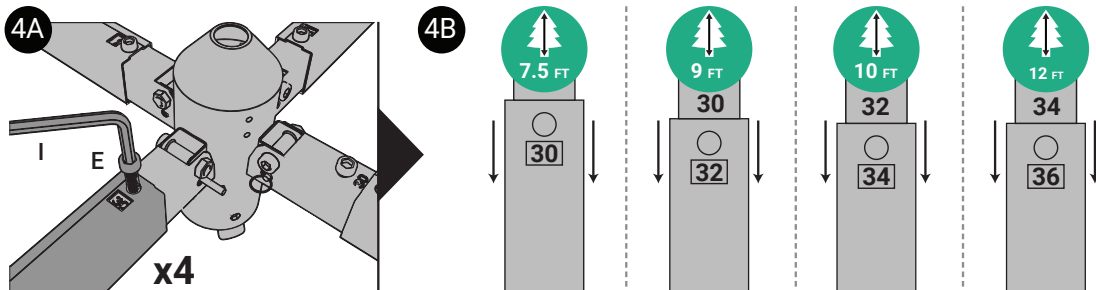
Parts



Tree Stand Assembly



Adjust the legs for the height of your tree.

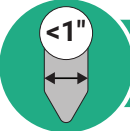


Be sure to reinstall the the bolt (Part E) after adjustment.

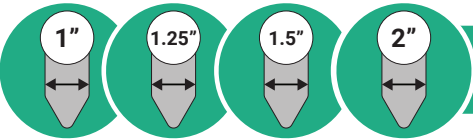
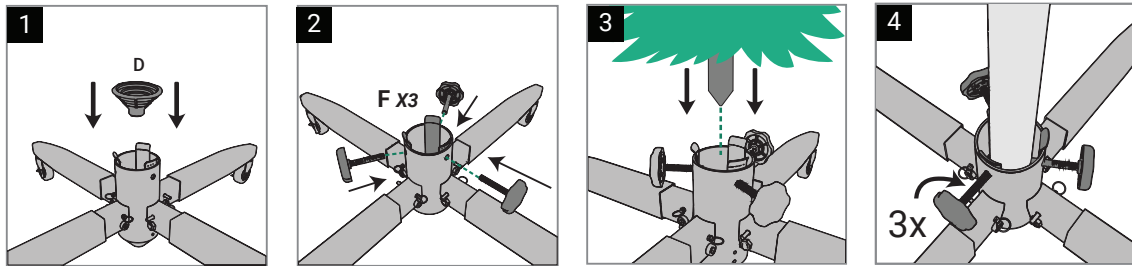
Adjusting the stand for different size tree poles.



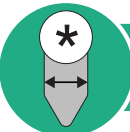
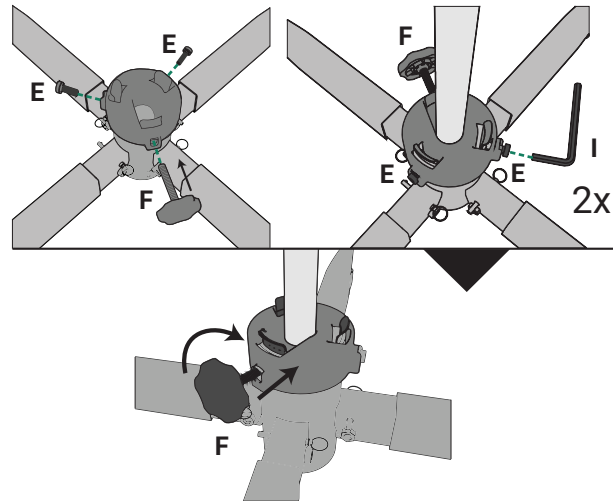
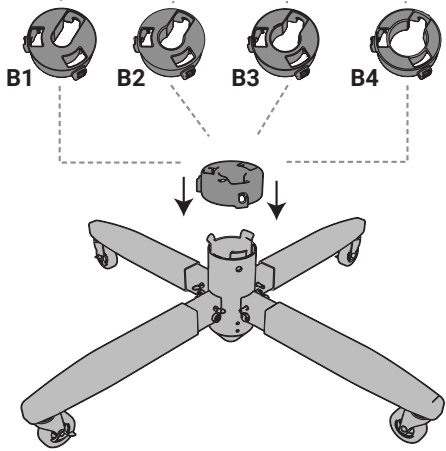
Follow the step below that matches your tree pole size.



MY TREE POLE IS LESS THAN 1 INCH IN DIAMETER



1, 1.25, 1.5 AND 2 INCH TREE POLES



ALL OTHER TREE POLE SIZES

