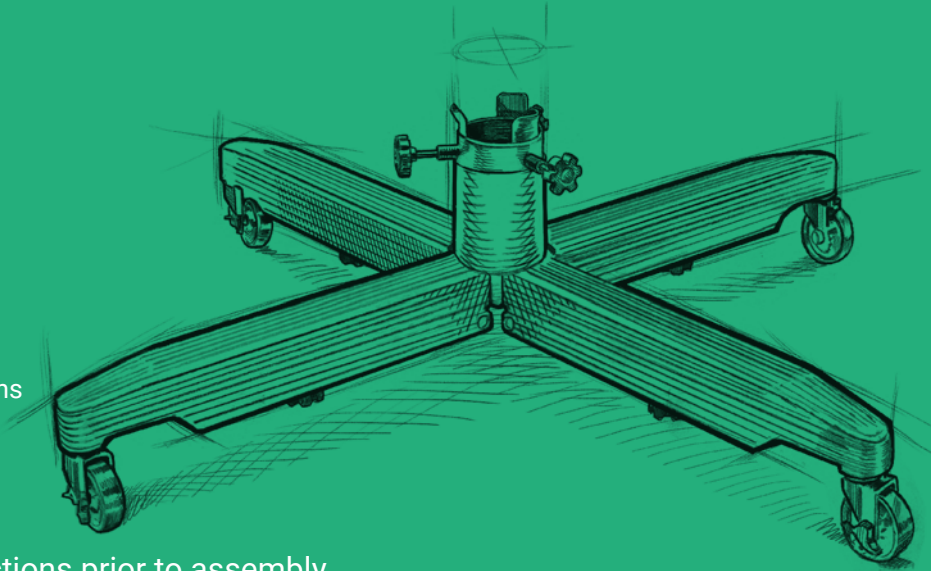
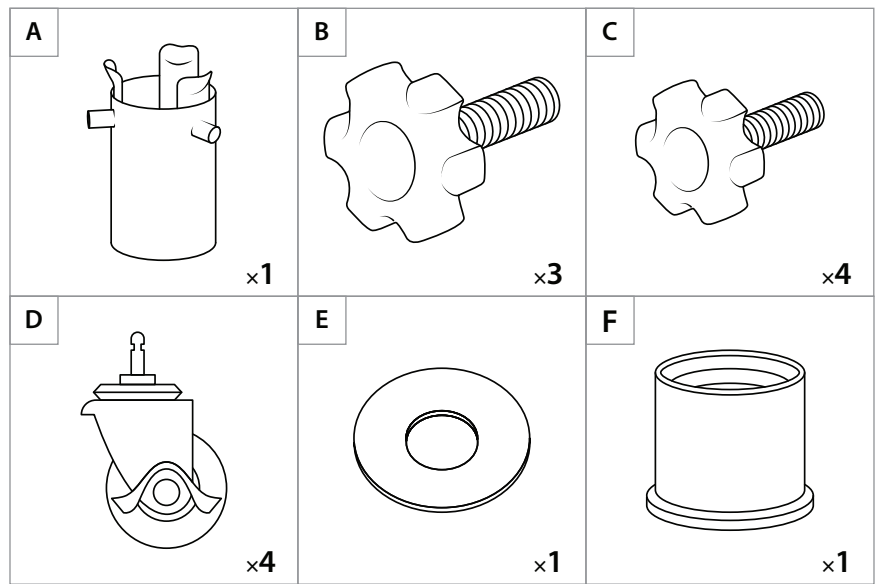
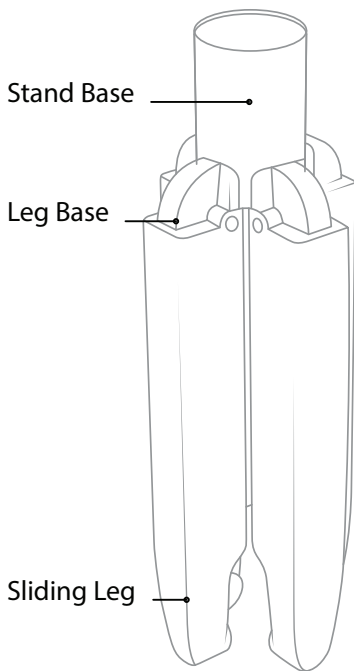


# UNIVERSAL TREE STAND

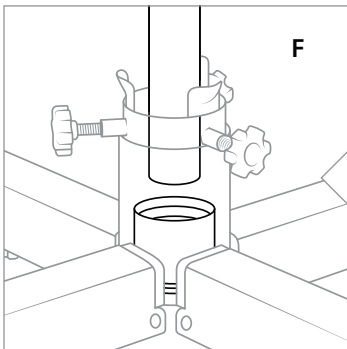
Model No. TK-10828 | Assembly Instructions



Please lay out all parts and read instructions prior to assembly.

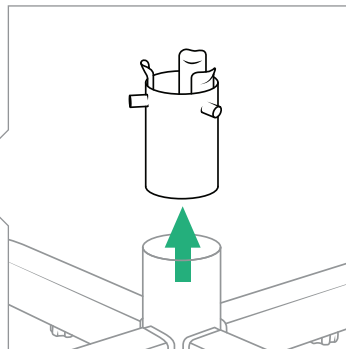


## What type of trunk do you have?

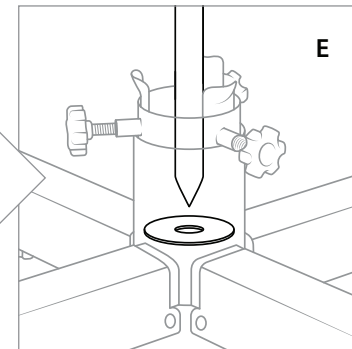


### FLAT

If you have a flat trunk, insert the adjustment cup before inserting your tree.

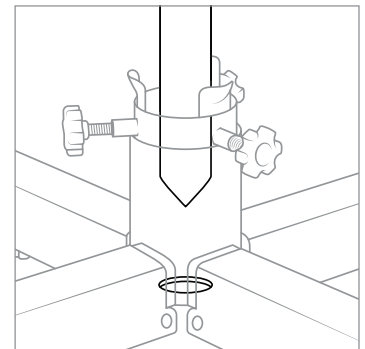


Remove the center collar before inserting the adjustment disk or adjustment cone.



### THIN POINTED

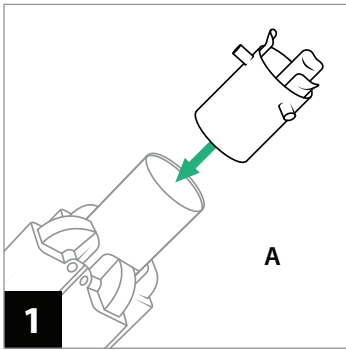
If you have a pointed trunk 1.25" - 1.5" in diameter, insert the adjustment disk before inserting your tree.



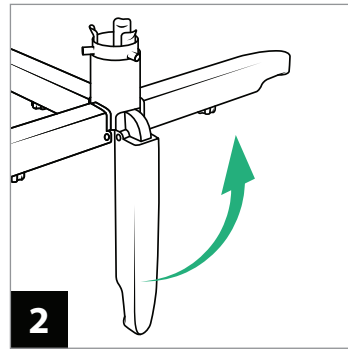
### POINTED

If you have a pointed trunk more than 1.5" in diameter, insert the point into the hole in the stand base.

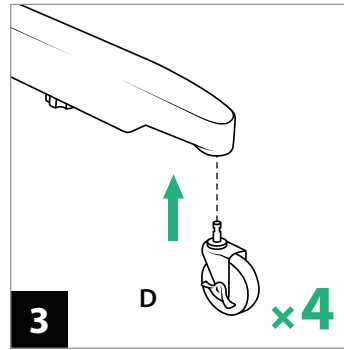
## How to assemble your universal Christmas tree stand



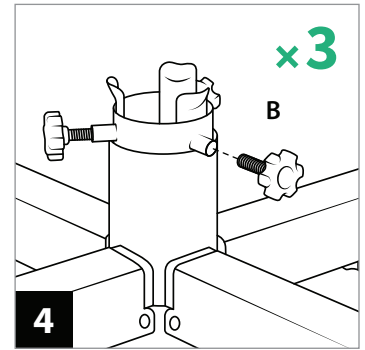
1 Insert the center collar into the stand base.



2 Unfold each of the legs until they have locked into place.



3 Push the wheels into the leg socket until they lock in place.

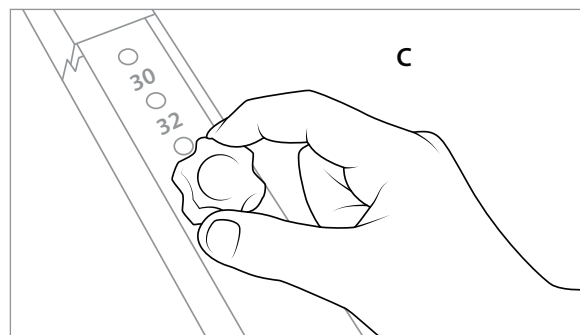
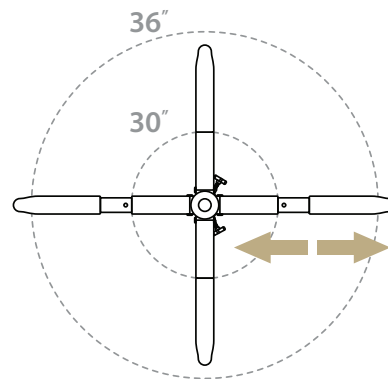
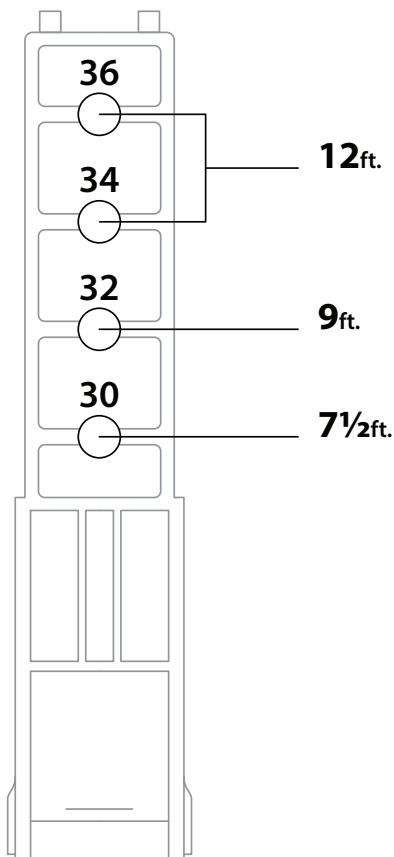


4 Screw in the large tension knobs into the center collar.



## What size tree do you have?

Adjust the length of the legs to increase/decrease the diameter to best fit your tree.



Tighten the lower tension knobs to lock the legs in place.



**TREEKEEPER™**  
WWW.TREEKEEPERBAGS.COM