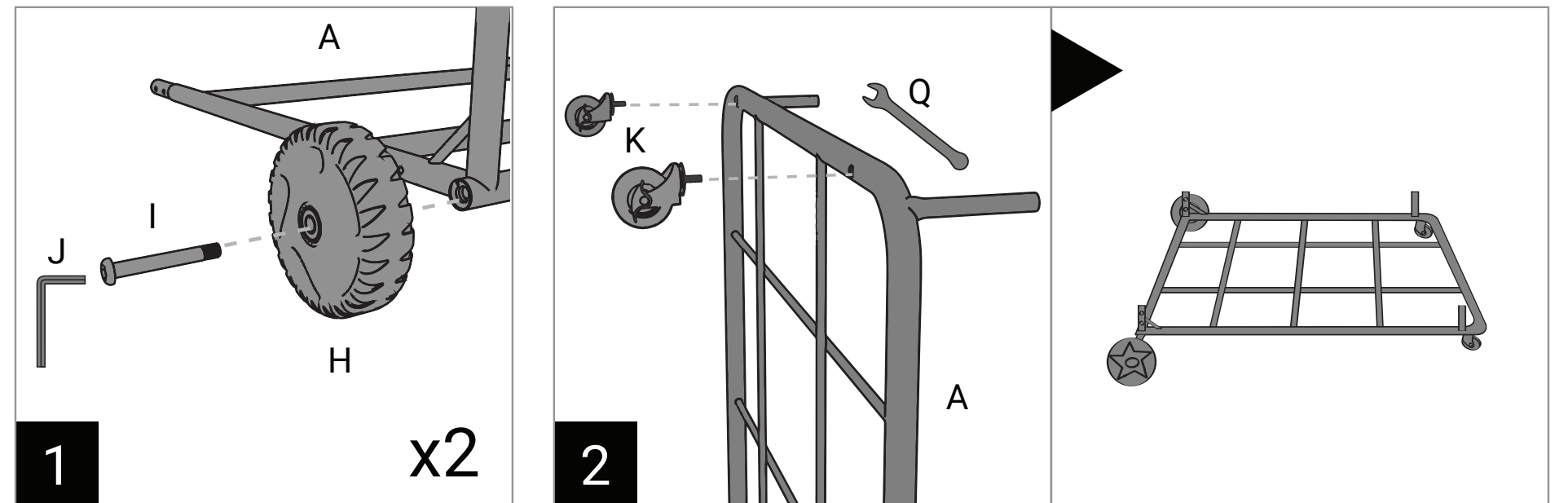


By design, the fitting of the bag around the frame is extremely tight. Please follow the instructions carefully as they've been designed, if followed, to allow a smooth installation of the bag tightly around the frame. It's important you follow each step in the order presented by this instruction sheet. Please also refer to our video instructions for further assistance.

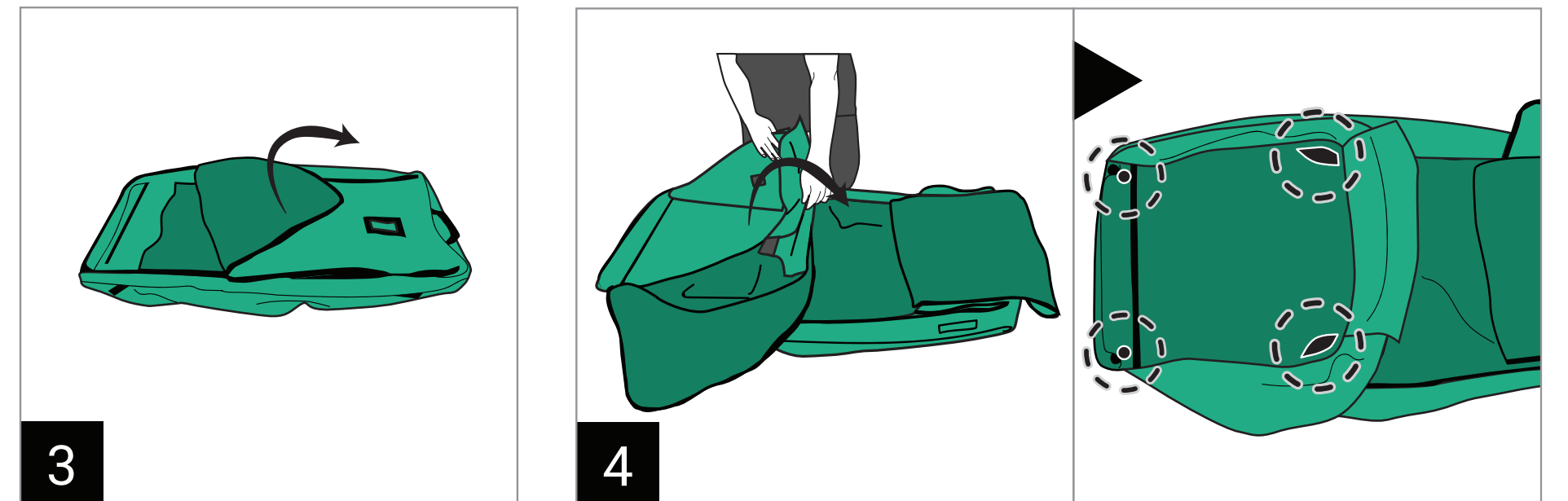
## A. INSTALL THE WHEELS ONTO THE BASE



1 Install the two large wheels (Part H) onto the base (Part A).

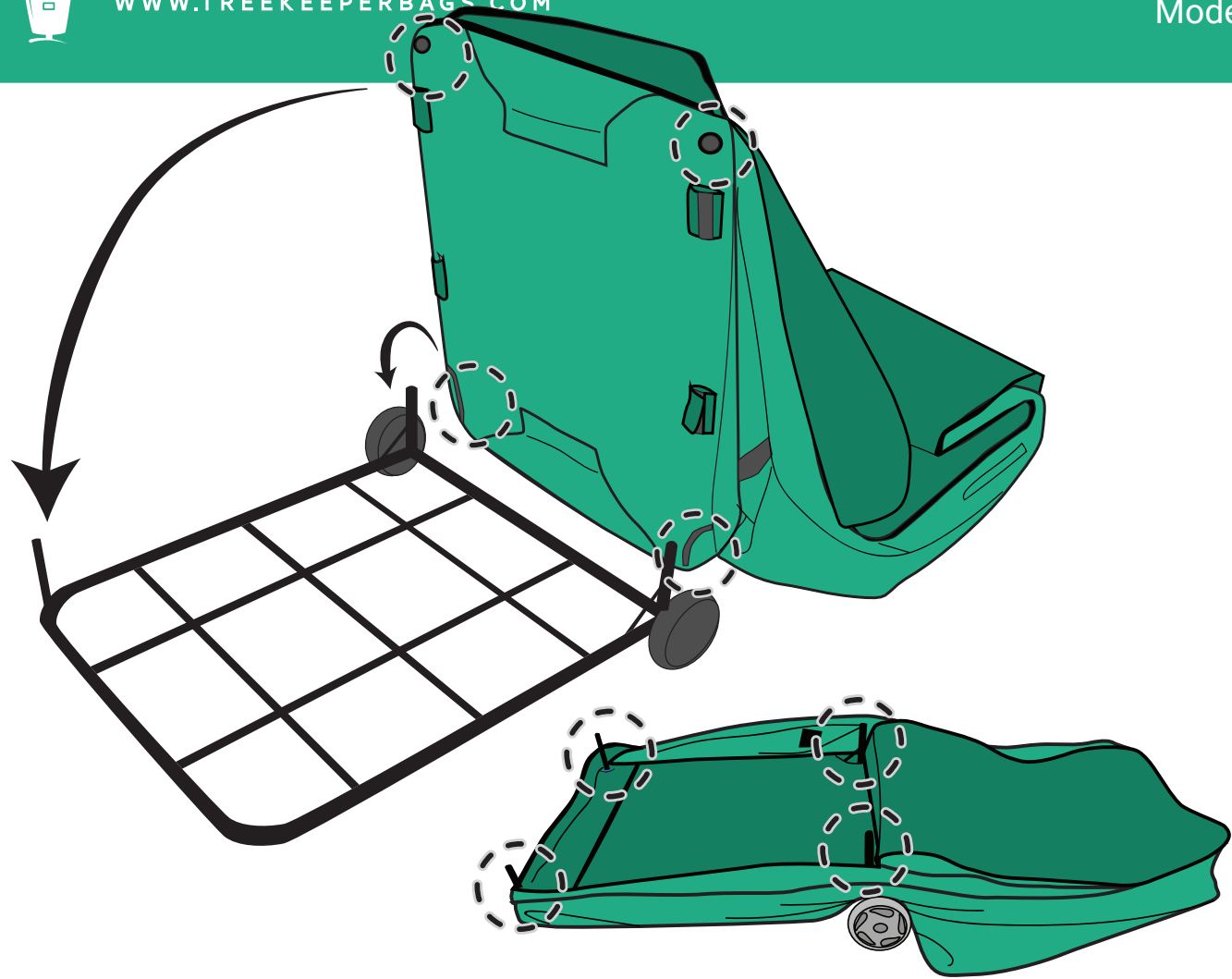
2 Install the two swivel wheels (Part K) onto the base (Part A). It's easiest to install by hand first, then use the wrench to tighten them.

## B. PREPARE THE BAG TO PLACE ONTO THE BASE

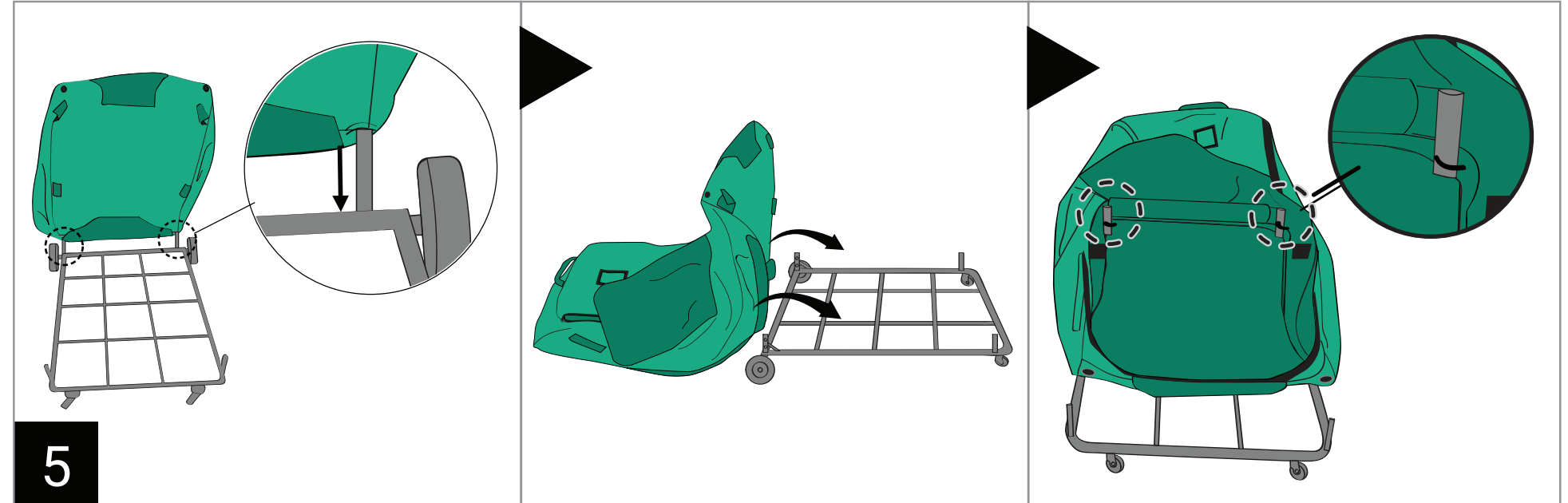


3 Lay the bag flat. Unzip and open the top panel of the bag.

4 Pull up the fabric and find the sewn in hard plastic panel. This is the panel that will be attached to the base frame (Part A). Locate the four holes on the corners.



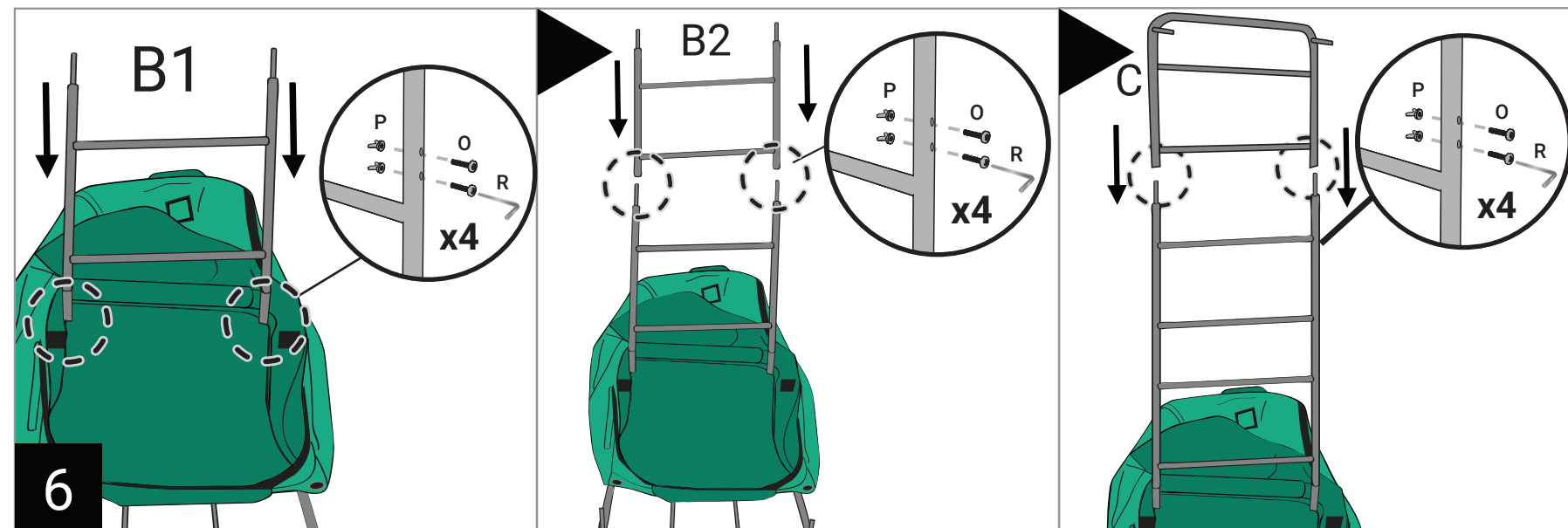
### C. PLACE THE BAG ONTO THE BASE



Line up the base frame tubes with the bag holes and install the bag as shown above\*.

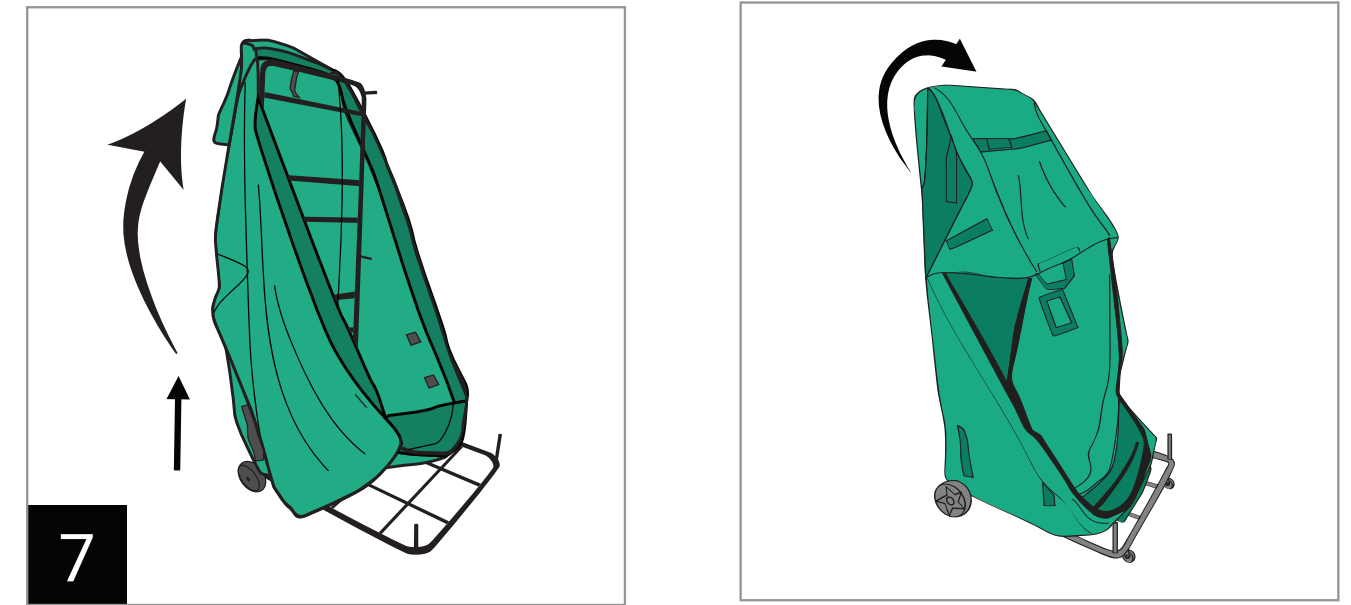
**\*DO NOT VELCRO THE BASE OF THE BAG TO THE BASE YET. THIS WILL BE DONE LATER.**

### D. ASSEMBLE THE VERTICAL FRAME



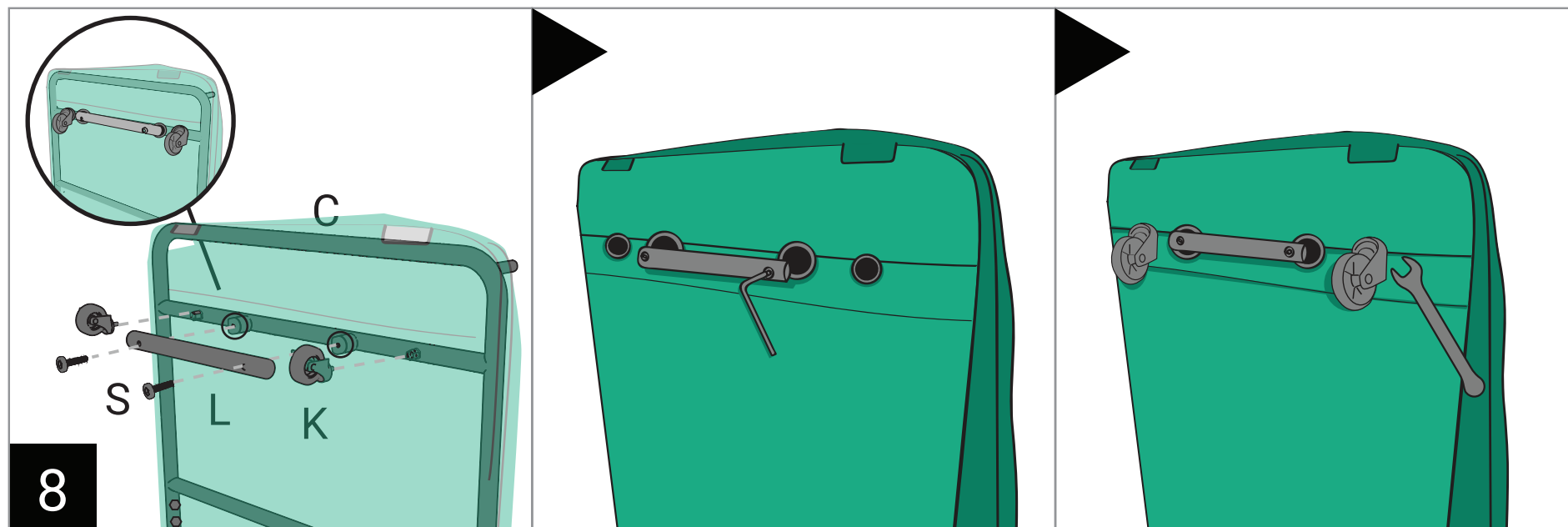
Attach each piece of the vertical frame as shown (B1, B2 and C). Install the bolts and wing nuts (P & O) to secure each section as you go.

### E. PULL THE BAG UP AND OVER THE VERTICAL FRAME



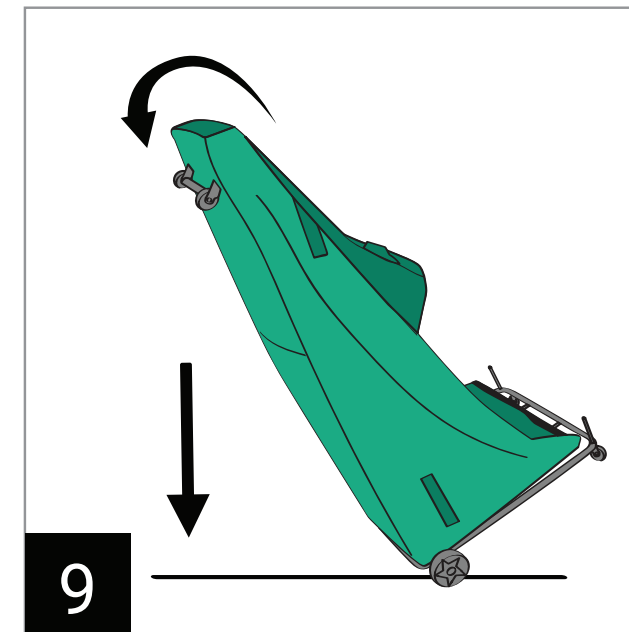
Pull the bag up and over the top of the frame so the top rear edge of the bag is hanging from the vertical frame as shown.

## F. INSTALL THE BACK WHEELS (WHEELS ARE INSTALLED THROUGH THE BAG ONTO THE FRAME)

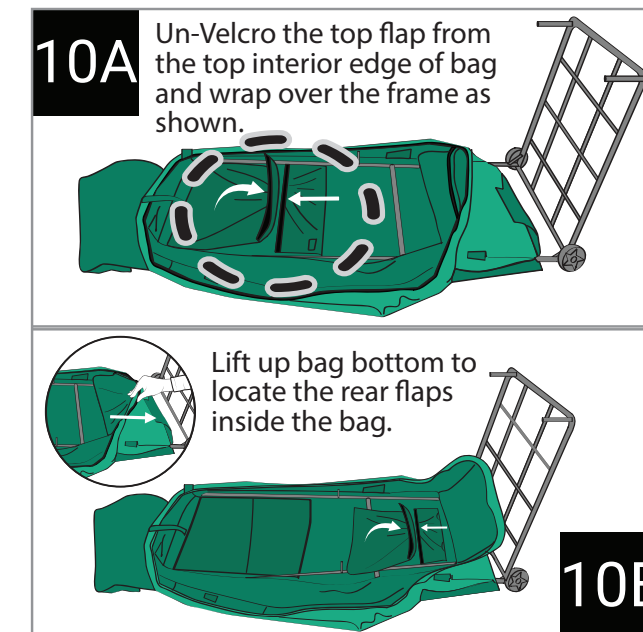


Line up the holes on the back of the bag with the corresponding frame components and install the cross handle (Part S) using two bolts (Part L) and the Allen Wrench (Part R). Once completed, install the swivel wheels (Part K) by hand at first, then tighten with the included wrench (Part Q).

## G. CLOSE THE INTERIOR VELCRO STRAPS

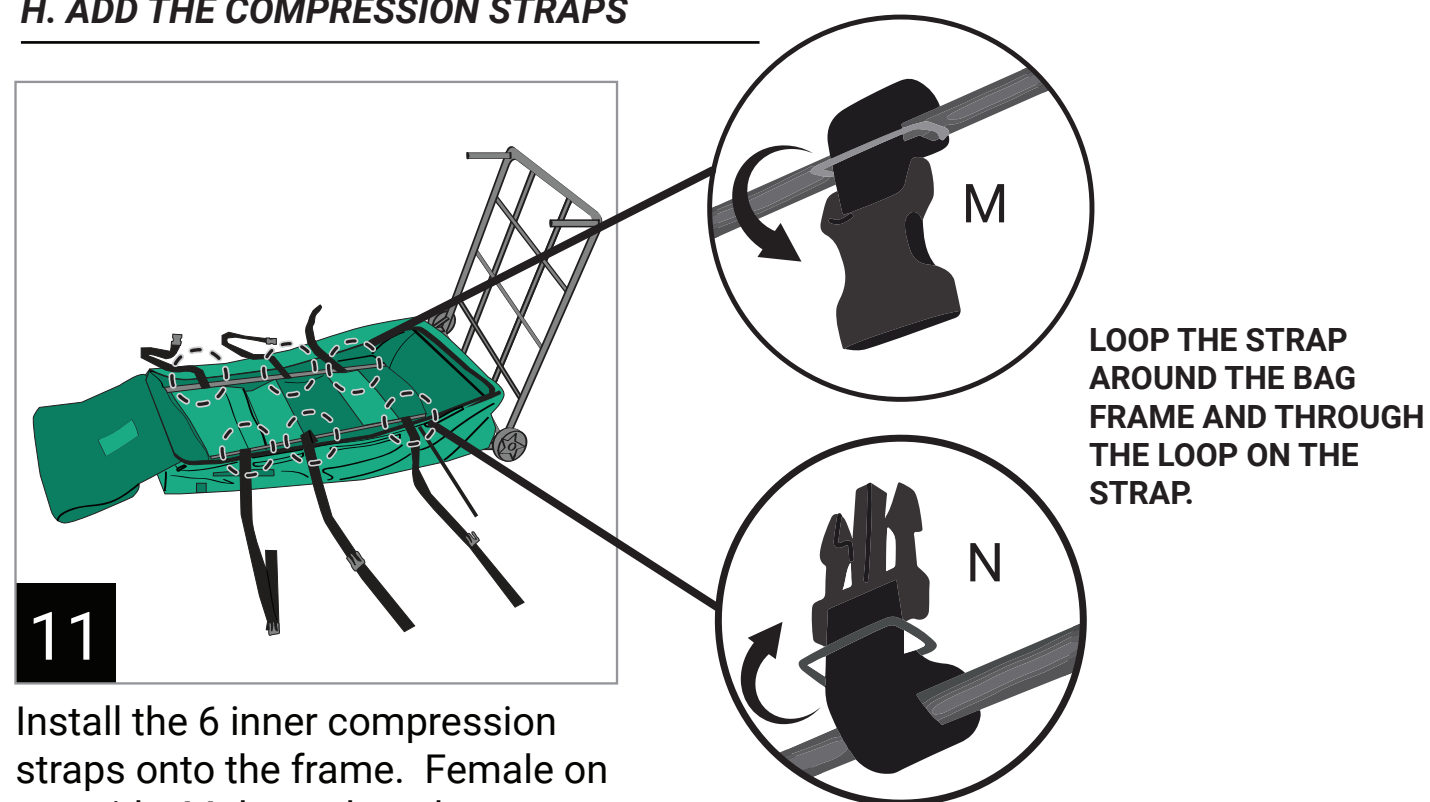


Lay the bag flat on it's back.



Close the Velcro flaps around the frame at the top and bottom areas inside the bag.

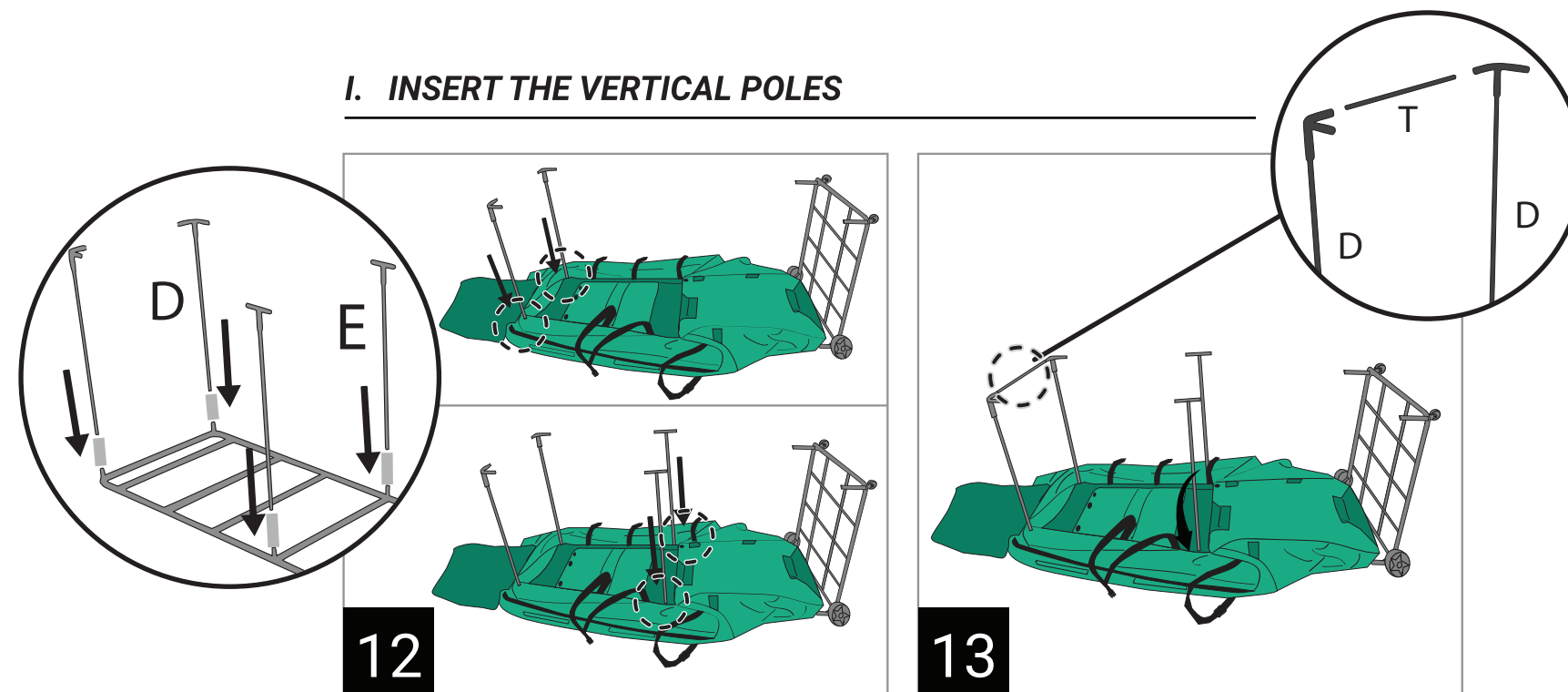
## H. ADD THE COMPRESSION STRAPS



Install the 6 inner compression straps onto the frame. Female on one side, Male on the other. (Parts M and N)

LOOP THE STRAP AROUND THE BAG FRAME AND THROUGH THE LOOP ON THE STRAP.

## I. INSERT THE VERTICAL POLES

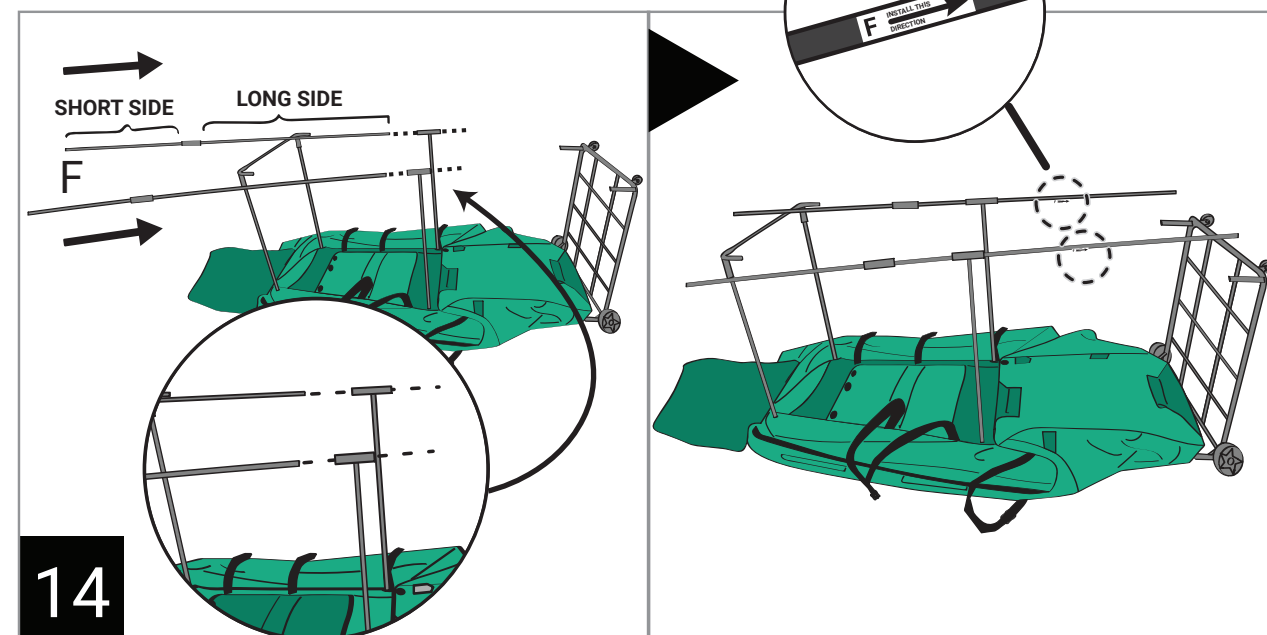


Install the four vertical poles (parts D and E) as shown. You'll have to move the fabric around to locate the receiving frame tubes.

Install the cross rod (Part T) between the two vertical corner poles (Part D).



## J. INSTALL THE RODS



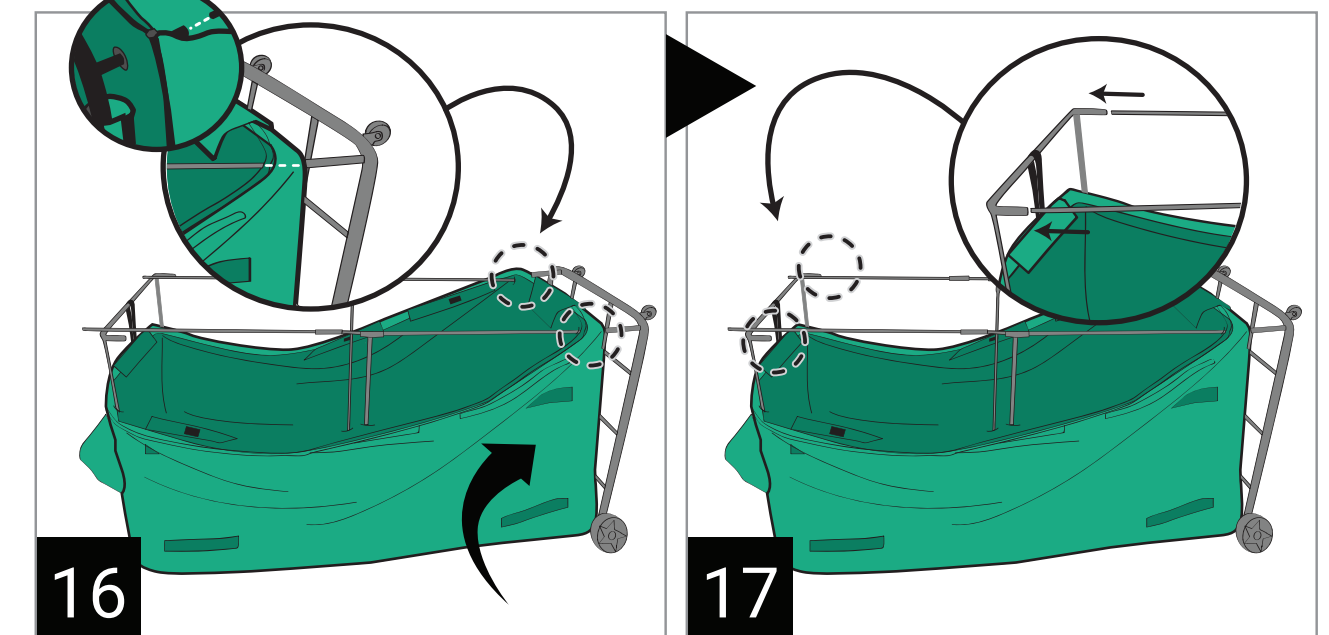
Slide the horizontal poles into the center T poles as shown. The longer side of the poles are inserted first and point towards the base. Do not install either end of the poles into the corner poles yet.

## K. TEMPORARY BAG ADJUSTMENT



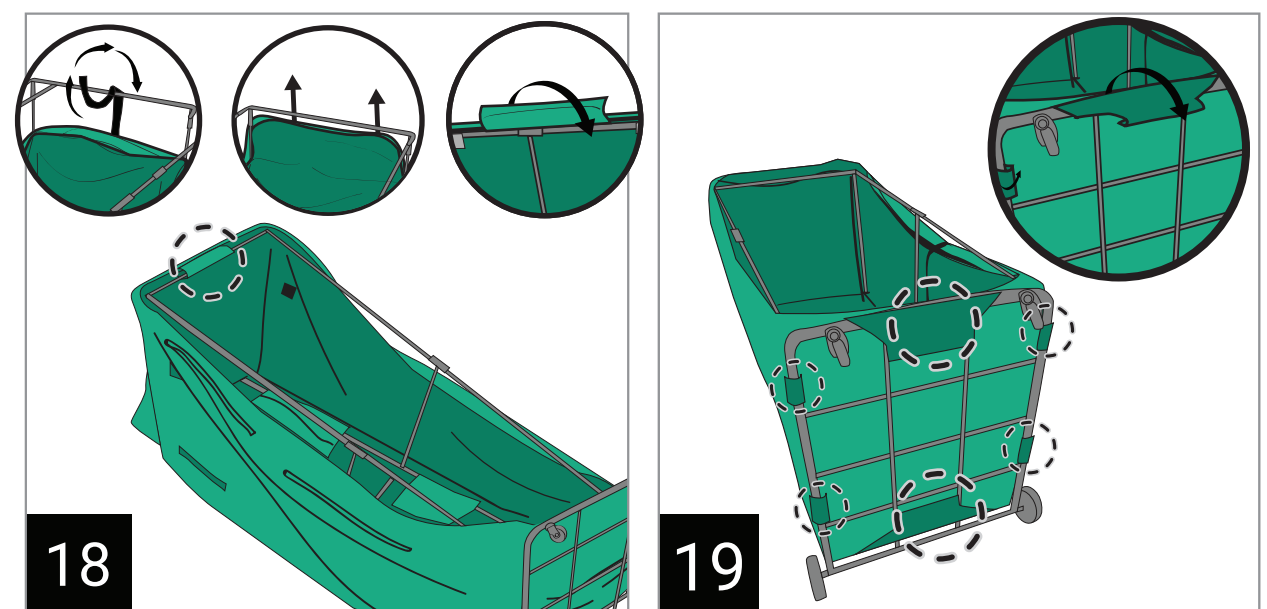
Locate the temporary hanging strap sewn into the top inner panel of the bag opposite the base frame and hang it from the cross frame. *(This helps keep the fabric in place for next steps.)*

## L. INSTALL THE RODS INTO THE CORNERS



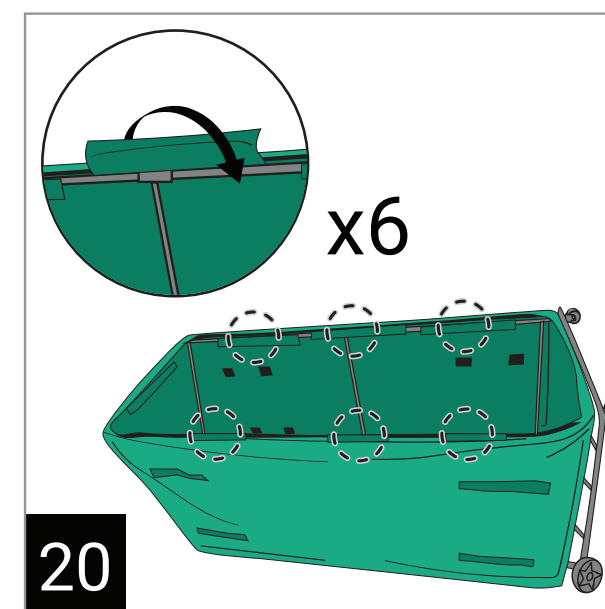
Lift up the bottom of the bag towards the frame and slide the bag's grommets onto the frame. Push the top rod (Part F) through the grommet on the bottom of the bag and into the frame. Repeat on both sides. Move to the opposite end of the bag and install the Rods into the corner vertical poles.

## M. VELCRO THE BAG TO THE FRAME



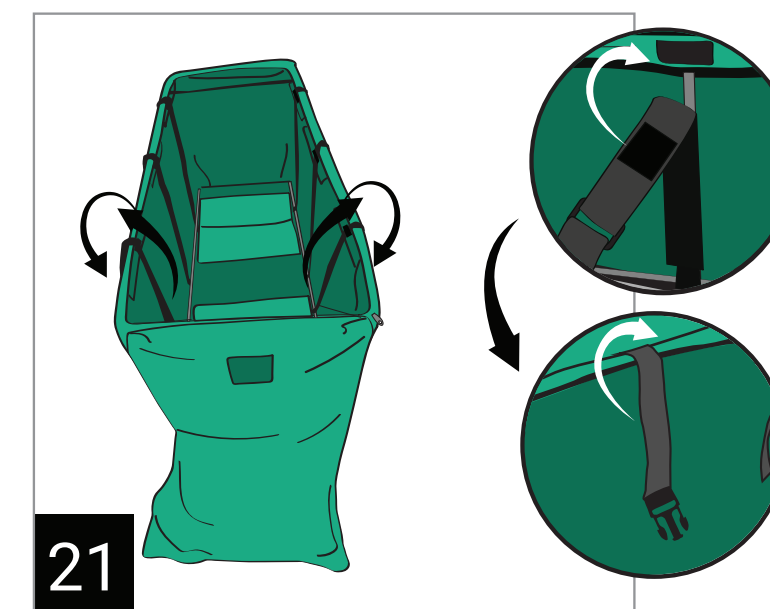
Disconnect the temporary vertical strap on the end of the bag, raise the bag up and stretch around the corner poles, then secure the Velcro flap.

Now Velcro all the straps on the bottom of the bag to the base. You will have to stretch the bag tight to do this.



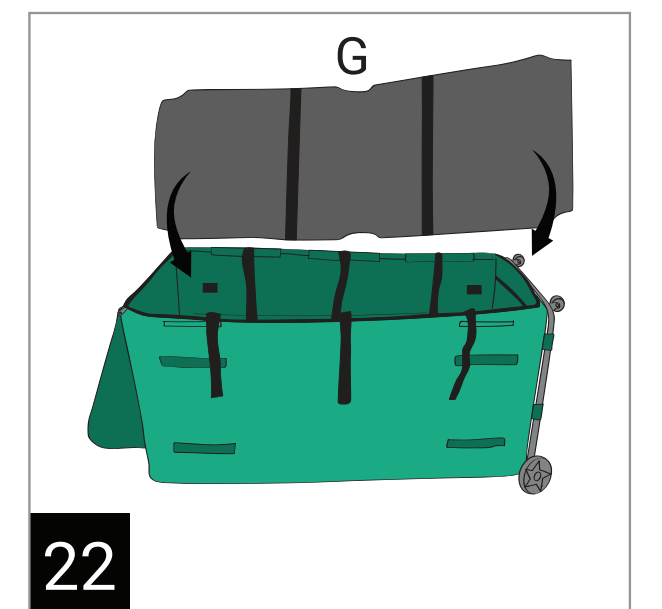
Secure all the Velcro flaps around the two long sides of the bag.

## N. SECURE STRAPS TO OUTSIDE



Locate the Velcro patch on each inner compression strap and attach it to the Velcro patches on the top edges of the interior of the bags, then flip the straps over the edge to the outside of the bag. This will get the straps up and out of the way.

## O. INSERT BASE



Insert the lower surface protector.