

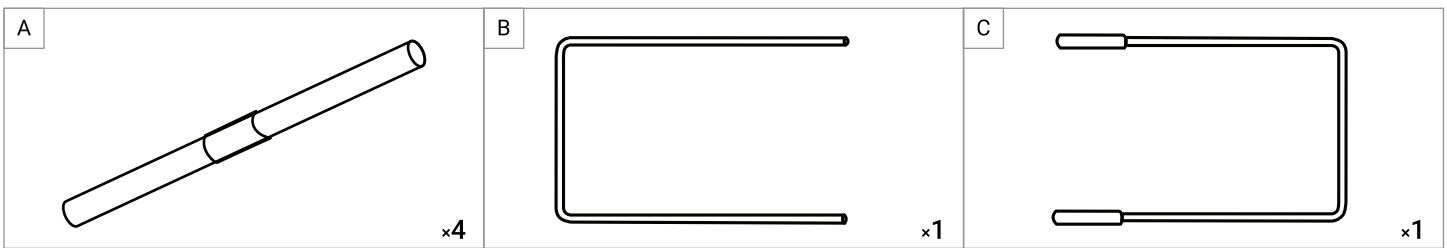


GIFT & TISSUE STORAGE BAG

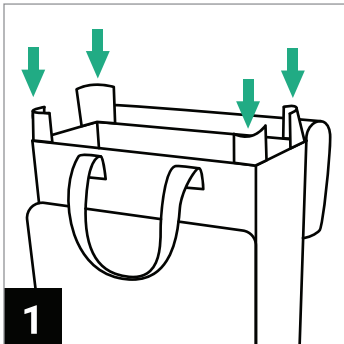
Model No. TK-10683 | Assembly Instructions



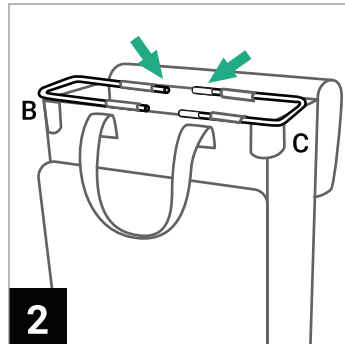
Please lay out all parts and read instructions prior to assembly.



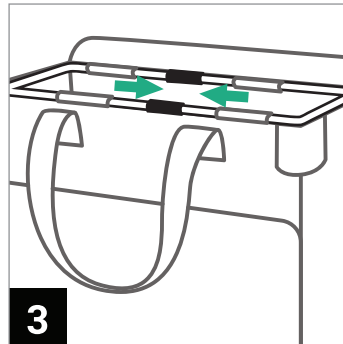
How to assemble your storage bag



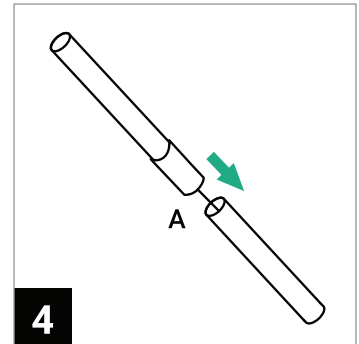
1 Locate and open the four Velcro straps in the corners of the storage bag.



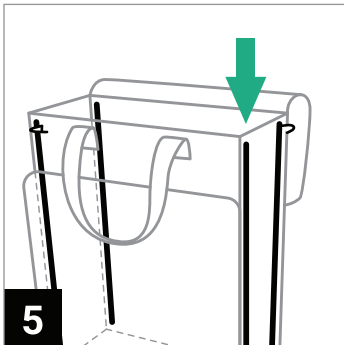
2 Locate the male and female ends of the top rim frame.



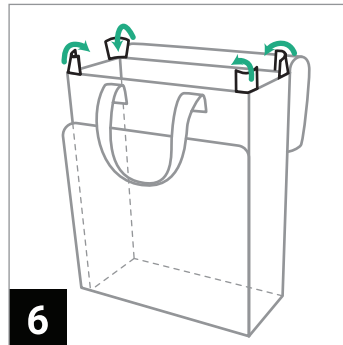
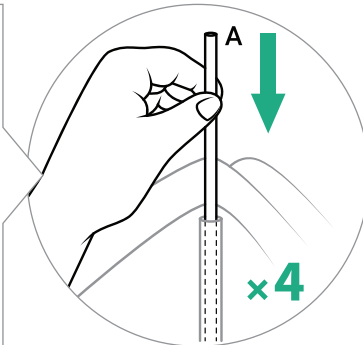
3 Reposition and lock the two halves of the top rim frame together.



4 Unfold and connect the four posts.



5 Insert the 4 rods into the sleeves located at each corner of the bag.



6 Close the tops of the Velcro straps to secure them in place.